

**SPECIFICATION**

**A: MATERIAL:**

- 1.BODY: NYLON 66
- 2.TERMINAL: Cu PLATED Sn
- 3.PIN: Cu PLATED Ni

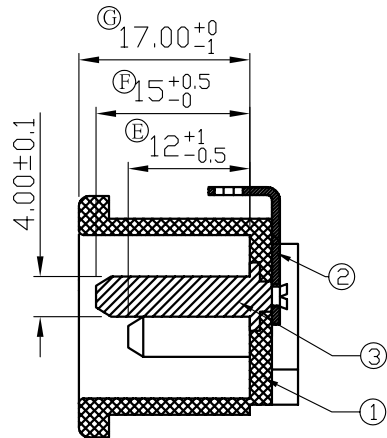
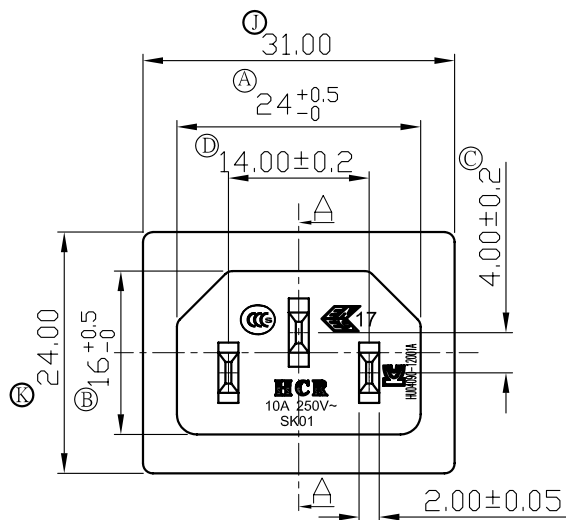
**B: CHARACTERISTICS:**

- 1.RATING: 15A 250V~(C-ULus)  
10A 250V~(ENEC & CCC & KC)
- 2.INSULATION RESISTANCE:100MΩ MIN,AT 500VDC
- 3.ELECTRIC STRENGTH : 3000 VAC/1MIN,LEAKAGE CURRENT UNDER 0.5mA

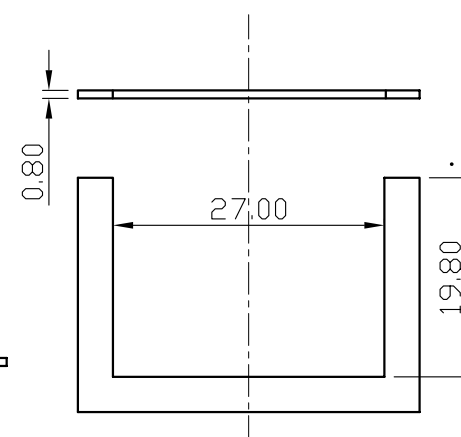
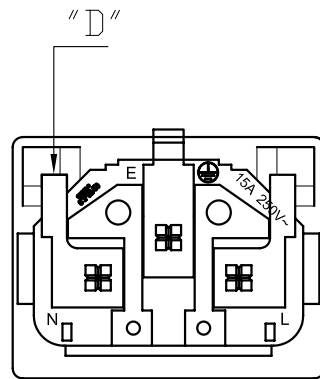
**C: APPROVALS: C-ULus, ENEC & CCC & KC**

**D: MATERIAL USED MUST BE COMPLY WITH HQI-0010**

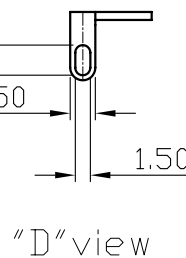
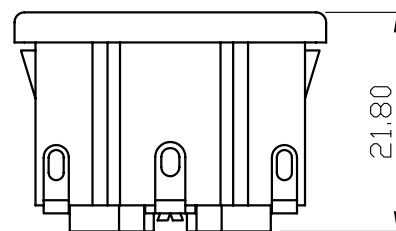
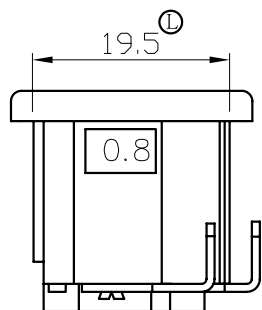
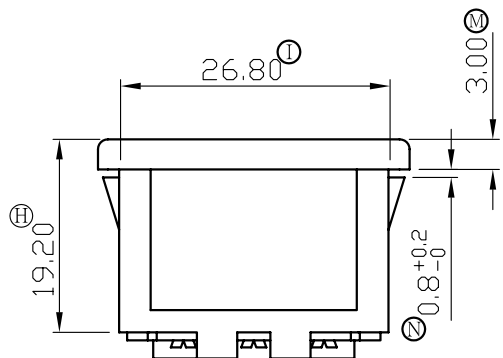
**E: CAN MEET ROHS,ROHS2.0,HF**



SECTION A-A



**PANEL CUT-OUT**



"D" view

TOLERANCES UNLESS OTHERWISE 未指定容許差尺寸之公差	
BASIC DIMENSIONS TOLERANCES	
UP TO 10 (10以下)	±0.15
ABOVE 10 TO 30(10~30)	±0.3
ABOVE 30 TO 100(30~100)	±0.5
ANGULAR DIMENSIONS(角度)	±5°
DIMENSION UNIT	mm

東莞市華之力電子有限公司 DONGGUAN HCR ELECTRONICS CO., LTD.

2					核准 APPROVED BY	AaronJin	日期 DATE	20120628	投影法 PROJECT		機型 PART NAME	INLET SOCKET
1					校對 CHECKED BY	RZTang	日期 DATE	20120628	比例 SCALE	1:1	型號 PART NO	SK01
0	2012/09/25	1.新制訂	A0	WeiChen	AaronJin	繪圖 DRAWN BY	日期 DATE	20120628	路徑 DWG NO	E:\成品圖 \SK01\800064	料號 ITEM NO	SK01-3101010121H
NO	DATE	REVISION DESCRIPTION	REVISION	DRAWN	APPROVED		日期 DATE					